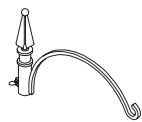


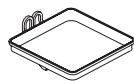
GARDMAN

WILD BIRD FEEDING STATION KIT

Contents



A



B



C



D



E x 3



F x 1



G x 2



H x 2



I

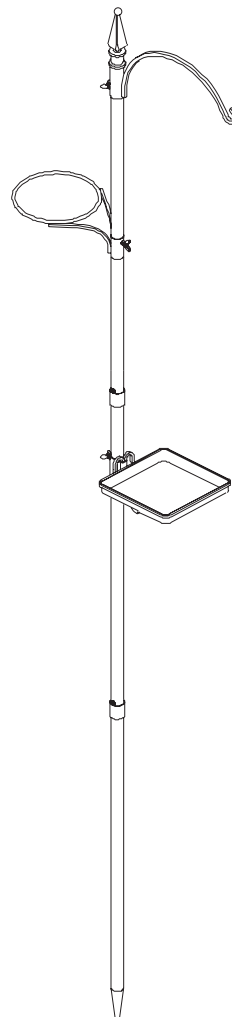
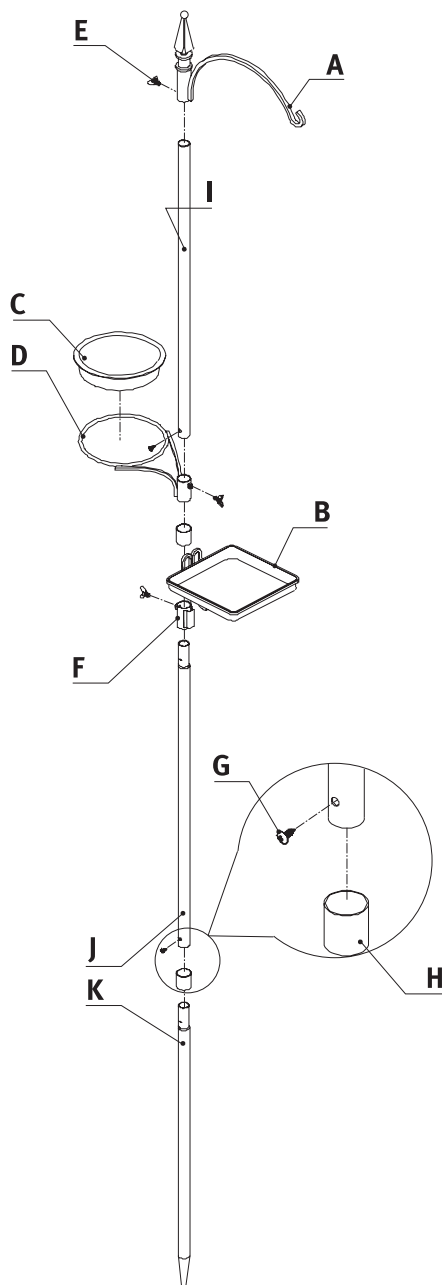


J



K

Assembly



Instructions

The moisture protection sleeves "H" should cover both the screw and the joint.

We recommend that at least 35cm (14") of the pole is below ground. The bird bath should be positioned on the pole so that food and other debris does not fall into the water and contaminate it.

Care

We recommend that you clean all the Feeding Station accessories in a mild disinfectant solution once every two months or more often in warm weather. Remove as much old food and debris as possible. Wash in the solution and thoroughly rinse with clean water.

Periodically reposition your Feeding Station to a different area within the garden to avoid an accumulation of unhygienic deposits.

An extension kit is available from the Helpline desk. This will increase the height of the pole by 70cm (2'3"). Please quote part no: A01131ext.

GARDMAN LIMITED

Moulton, Spalding,
Lincolnshire, PE12 6QD, UK.

Helpline

01406 372227

A01340