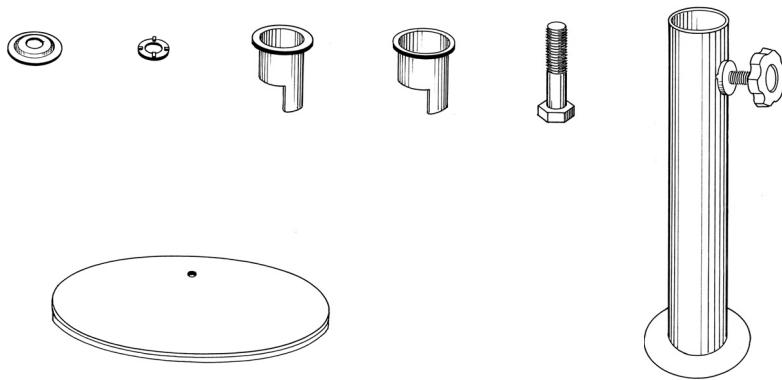




# GARDMAN

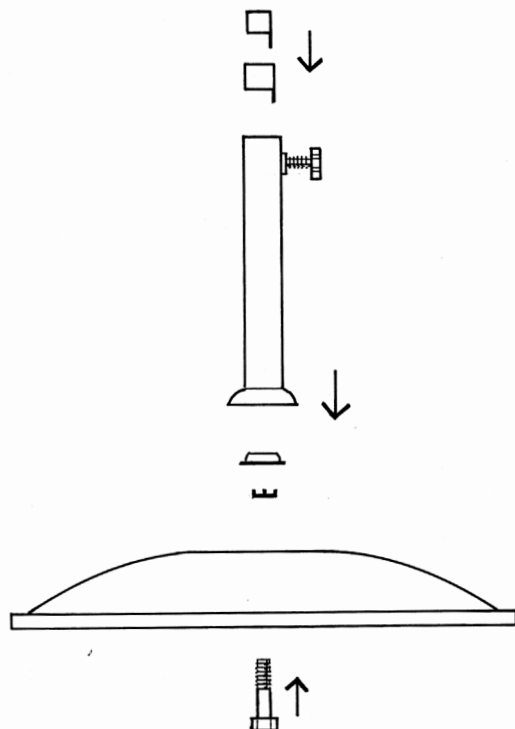
## FEEDING STATION PATIO STAND

### Contents



Select the correct size plastic adaptor for your feeder pole.  
**When the 22.5mm dia adaptor is required it will need to be pushed inside the 25mm adaptor then both will need to be placed in the support tube.**

adaptor	application
22.5mm internal dia.	Gardman Heavy Duty Feeder Pole. A01109
22.5mm internal dia.	Gardman Feeding Station Kit . A01340
22.5mm internal dia	Gardman Premium Feeding Station Kit. A01131
25mm internal dia.	Gardman DeLux Feeding Station Kit. A01342
No adaptor	29mm dia poles



### Instructions

A reduction kit is available from the Helpline desk. This reduces the height of the Feeding Station Kits by approx. 36cm and the Heavy Duty Feeder Pole by 65cm. This will allow the feeders and accessories to be tendered at a more convenient height and will also increase the stability of the unit. Please select the appropriate item for your needs from those shown below:

- **A01131RDP Reduction pole** to fit: A01109 Heavy Duty Feeder Pole, A01340 Feeding Station Kit and A01131 Premium Feeding Station Kit
- **A01342RDP Reduction pole** to fit: A01342 De-Luxe Feeding Station

### Warning !

Maximum stability will only be achieved when sited on level ground.

This Patio stand is designed to provide adequate stability to Gardman feeding stations and feeder pole in normal conditions.

In the event of windy conditions we strongly recommend moving the unit to a sheltered site or securing the unit so that it cannot topple over to prevent damage to the base, feeding station or surrounding furniture, ornaments plants and glazed windows etc.

### Care

We recommend that you clean all the Feeding Station accessories in a mild disinfectant solution once every two months or more often in warm weather. Remove as much old food and debris as possible. Wash in the solution and thoroughly rinse with clean water. Periodically reposition your Feeding Station to a different area within the garden to avoid an accumulation of unhygienic deposits.

### GARDMAN LIMITED

Moulton, Spalding,  
 Lincolnshire, PE12 6QD, UK.

**Helpline 01406 372227**

**A01314**