

GARDMAN

GUARANTEED*
SQUIRREL PROOF



How to site and hang your bird feeder and frustrate the squirrels

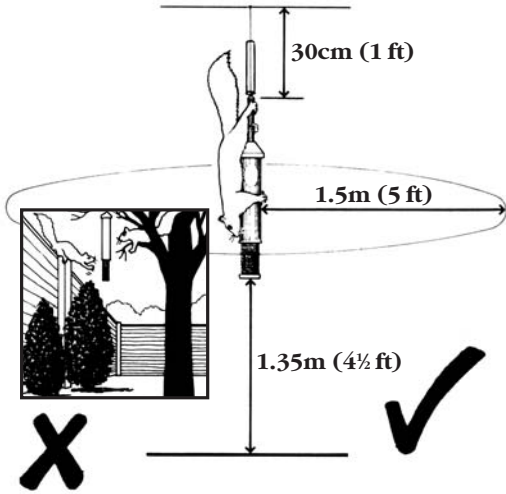
Frustrated and hungry squirrels will tirelessly seek out any opportunity of a vantage point from which they can bypass the mechanism of this feeder and leap directly onto the seed tube. Therefore, **you must hang it so that the squirrels can ONLY approach from above.**

If the garden doesn't offer an obvious 'safe' hanging point, then suspending the feeder beneath a horizontal wire slung between two points in the garden is the best way to site it. Ensure that you have good clearance all around the feeder – no branches, trees, bushes, fences, buildings or garden furniture etc. within 1.5m (5 feet), and place the feeder at least 1.35m (4½ feet) above the ground. Wherever you hang your feeder, be certain to use the supplied wire to suspend the feeder at least one foot below the hanging point.

Use perches hinged down.

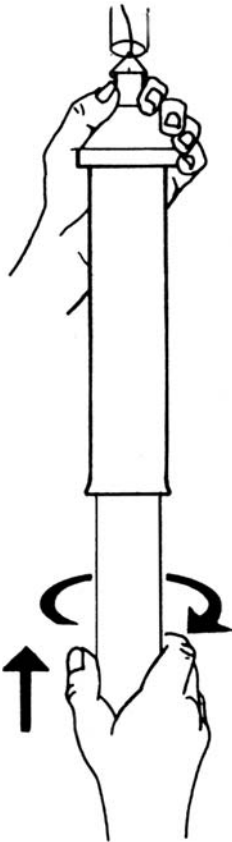
A little thought and careful following of these instructions now, will reward you with the guaranteed satisfaction of beating the squirrels and ensuring your garden birds are still fed their favourite seed.

* This guarantee does not affect your statutory rights.



How to fill your Squirrel Proof Feeder

1. Grasp the top of the feeder, holding the top end of the metal tube between thumb and forefinger (see illustration).
2. Hold the feed tube, push it up and twist it through 90° (a quarter-turn), then pull it gently down.
3. Fill the feed tube to within 12 mm (½ inch) of the top.



Maintenance

Occasionally wipe the stainless steel tube clean and apply to it a few drops of thin oil to ensure long-lasting efficient operation.

To clean the feed tube, release the small domed nut under the base plate. Remove the base plate to gain access to the inside of the tube. Remove as much old food and debris as possible, clean in a mild disinfectant solution and rinse in clean water.

Re-assembling is the reverse of the disassembly instructions.

A01167

This guarantee does not affect your statutory rights and is valid for as long as the bird feeder is maintained in good working order. Gardman Limited undertake to refund the purchase price of the Guaranteed Squirrel Proof Bird Feeder (Part No. A01167) should it fail to work when used according to the instructions.

Please fill in this form and send back in an envelope to the address below in order to enable us to register your purchase.

Please send to:

Gardman Limited, Moulton, Spalding, Lincolnshire, PE12 6QD, UK. Fax: +44 (0)1406 372233.

Name

Address

Postcode

Where product bought from

Data Protection Act. Please tick if you do not want to be sent any further offers from Gardman

GARDMAN
GUARANTEED*
SQUIRREL PROOF

