

GARDMAN



universal squirrel baffle



- Protects bird feeders and feeding stations from the ravages of squirrels
- Large diameter, super smooth, slippery dome beats the most determined critters
- Adaptors supplied to fit three diameters of poles, 12mm, 22mm and 25.5mm

Can be used in conjunction with the following Gardman accessories

Approved Product



British Trust for Ornithology
For more information contact the BTO at www.bto.org
Gardman make a contribution to the BTO for every product purchased.



Heavy Duty Feeder Poles



Single and Twin Shepherd's Hooks



Premium Feeding Station Kit



Deluxe Feeding Station Kit

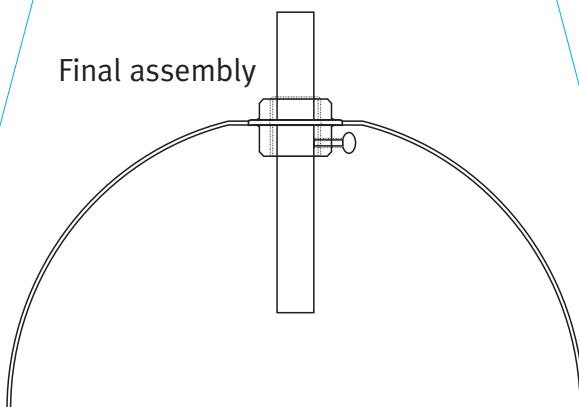


A01158

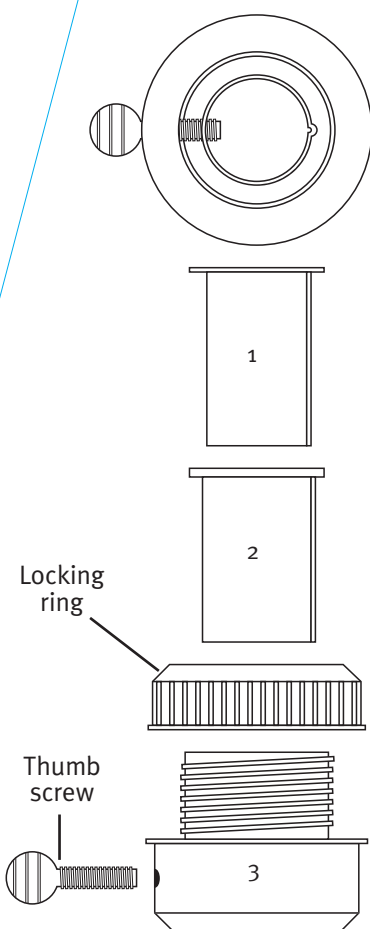


GARDMAN LIMITED
Moulton, Spalding,
Lincolnshire, PE12 6QD, UK.
Fax +44 (0)1406 372233

Final assembly



Instructions



- Fit the threaded boss (3) to the baffle with the thumb screw piece underneath the dome, secure using the locking ring. Hand tighten only.
- Select the correct adaptor for your needs
 - 1 12mm adaptor (internal hole): Single and Twin Shepherds Hooks and 12mm dia. poles
 - 2 22mm adaptor (internal hole): HD Feeder Pole, Premium Feeding Station Kit, Victorian Lamp Seed Feeder and 22mm dia. poles.
 - 3 No adaptor: De-luxe Feeding Station Kit and 25.5mm dia. poles
- Make sure that the thumb screw is not protruding from the inner wall. Push the adaptor into the threaded boss making sure that the ridge which runs down the outside of the adaptor is aligned with the corresponding groove on the inside of the boss. N.B. when using the 12mm adaptor the 22mm adaptor will need to be inserted into the threaded boss first.
- Fit the assembled baffle to your feeding device. **Raise the baffle to the highest point on the pole that is practical.** Tighten the thumb screw to secure the baffle in place.
- Position the feeding device so that squirrels can only approach the feeder/s from below so that their path to the feeders is obstructed by the baffle. Squirrels are good at jumping; make sure there are not platforms nearby that will allow them to jump onto the upper part of the pole thus avoiding the baffle.

Site out of reach of predators.

Care

We recommend that you clean your feeders (and all bird feeding devices) with a mild disinfectant solution once every two months or more often in warm weather. Remove as much old food and debris as possible. Wash and thoroughly rinse all items*

Periodically reposition your feeders and tables to a different area within the garden to avoid an accumulation of unhygienic deposits.

* Wash equipment outdoors, wear gloves and wash hands thoroughly afterwards.



This product meets standards set by the Birdcare Standards Association. The BSA ensures that only safe and nutritious products are supplied to our wild birds.

BSA, PO Box 361, Cleethorpes, DN35 7XQ