



Assembly Instructions

Wooden Cold Frame

Parts & Fittings Supplied

Ref	Description	Illustration	Qty
A	Glazed Back Panel		1
B	Glazed Front Panel		1
C1	Glazed Side Panel Left		1
C2	Glazed Side Panel Right		1
D	Glazed Lid Panel and Hinges		1
E	Lid Support Arms		2
F	35mm Wing Bolt and Washer		2
G	Base Plates		4
H	Large Frame Screws		8
I	Small Screws		22

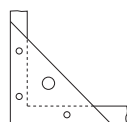
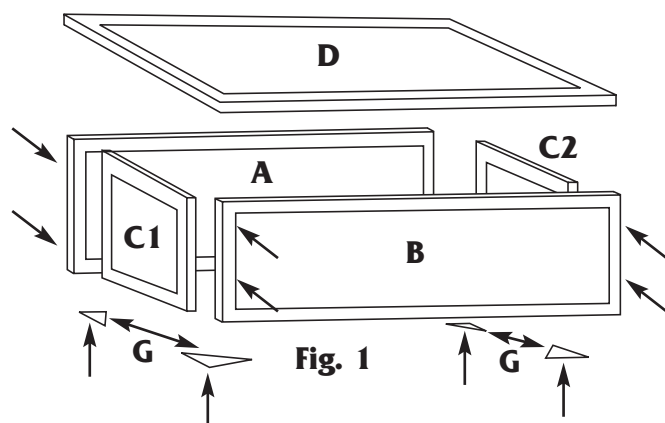


Fig. 2

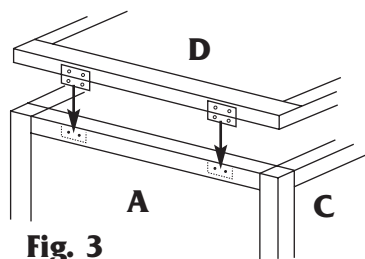


Fig. 3

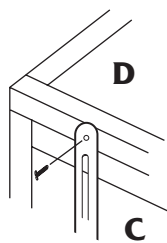


Fig. 4

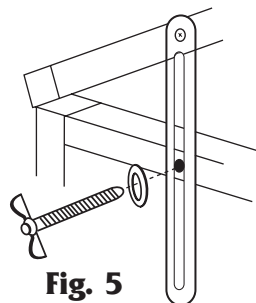


Fig. 5

Before You Start

Please check that all components are present and read through these instructions carefully.

Assembly

1. Check all screws are tight in the ready-made frame sections but avoid over-tightening.
2. Do not yet remove the protective covers on the polycarbonate glazing: note the cover is on the outside of the panels.
3. Assemble the frame body (parts A, B, & C1 & C2) using the large screws (H) and the pre-drilled holes in the frame. (**See Fig 1**).
4. Fix the base plates (G) to the underside corners of the frame using 3 small screws (I) per plate. (**See Fig 2**).
5. Place the lid (D) in position so that the hinges are at the back and are facing downwards. Line up the lid with the frame sides and hold firmly whilst attaching the hinges to the back panel (A) using screws (I). (**See Fig 3**).
6. To assemble the lid support arms:
 - a. Screw the support arms (E) into the lid sides using small screws (I). Position the screw directly above the bolt hole in sides (C). (**See Figs 4 and 5**).
 - b. Pass the washers over bolts (F) and insert the bolts, from the outside, through the slots in the support arms and into the pre-drilled holes in the sides (C1 & C2). Screw in part way to secure it. (**See Fig 5**).
 - c. Tighten the wing bolt when the lid is in the required position.
7. To complete the assembly, peel off the protective sheet from the polycarbonate panels and site the cold frame in good light but out of prolonged fierce sunlight. Use the corner base plates to peg or bolt down the cold frame if extra security is required.

Care & maintenance

- Extra coatings of wood preservative will prolong the life of the product but be sure to use one that is harmless to plants.
- Avoid constant contact with wet soil by mounting the frame on bricks, slabs or wooden battens.