

# Compact walk-in greenhouse

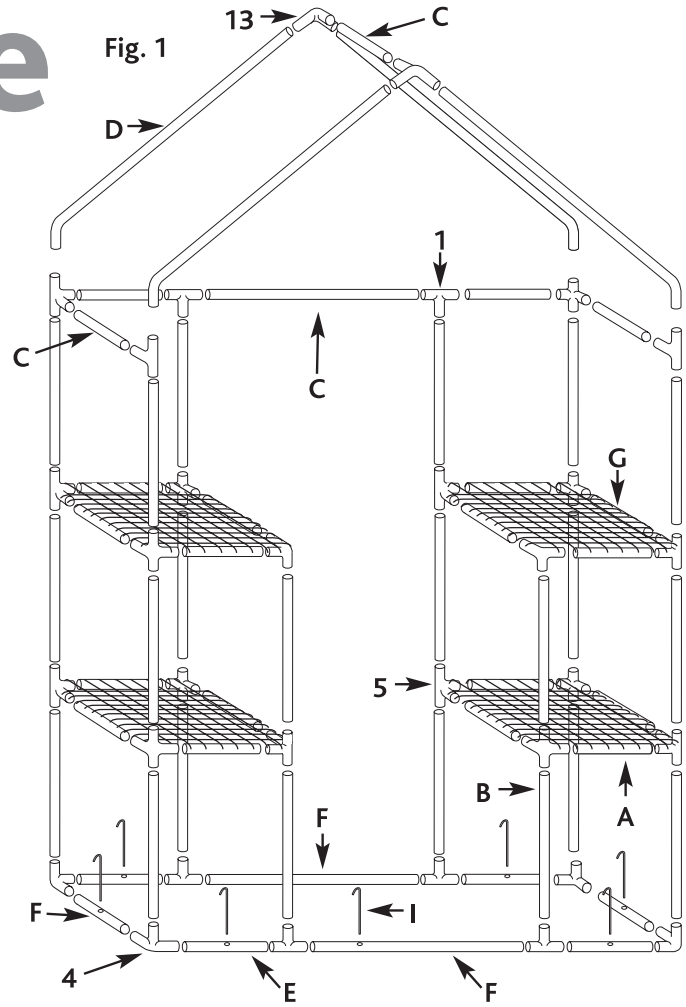
## No Tools Required

### Before You Start

Please check the pack contents before attempting to construct this 'Compact Walk-In Greenhouse'.

### Assembly

Assemble as shown (Fig. 1) When fitting cover (H) ensure frame is tightly pushed together and door is unzipped prior to sliding over frame, failure to do so may cause damage to the cover. Secure to frame with ties attached to inside of cover. For securing on a soft surface insert pegs (I) through holes in base of frame (E and F) or through the eyelets in the base of the cover. For additional support guy ropes (J) can be attached at the front and rear of the cover. Fixings included are designed for use on a soft surface. For locating on a hard surface an alternative method of fixing will be required.



### Parts & Fittings Supplied

Ref	A	B	C	D	E	F	G
Qty	10	22	12	4	4	4	4
Ref	H	I	J	K	L	M	N
Qty	1	8	4	6	16	2	8

### Helpline Number

If you have any problems or queries with this Greenhouse please call our helpline on +44 (0)1406 372227 between the hours of 9am to 5.30pm Monday to Friday.



Gardman Limited, High Street, Moulton, Spalding, Lincolnshire PE12 6QD