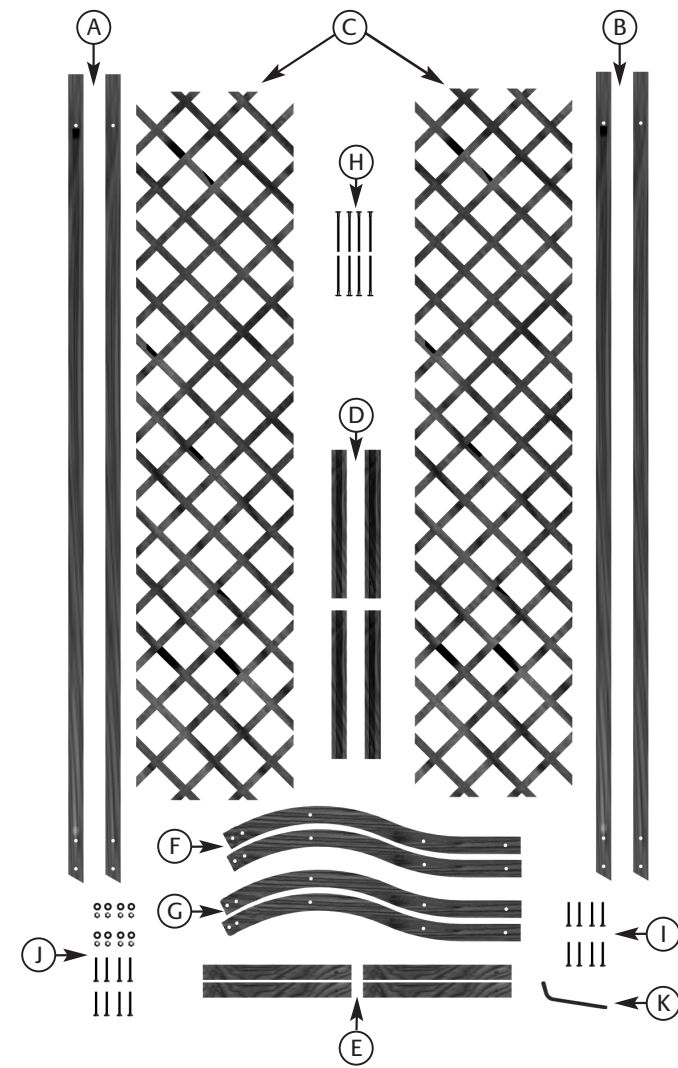


210mm

Elegance Wooden Arch

Assembly Instructions



Tools Required (not supplied)

- 10mm spanner (adjustable spanner or large pliers will suffice)
- Phillips screwdriver

Before You Start

- Lay out all of the component parts and make sure you have all of those listed.
- When you are ready to start, make sure that you have the right tools to hand, plenty of space and a clean dry area for assembly. Always try to assemble the product as close as possible to the intended location.
- Remove all plastic bags and dispose of them safely.
- Retain the instructions for future use.

Caution

This pack contains small items which should be kept away from children.

Consumer Helpline

If you have any problems or queries with this product then please contact our helpline number: 01406 372227, or fax +44 (0) 1406 372233. Or write to: Gardman Ltd, High Street, Moulton, Spalding, Lincs, PE12 6QD.

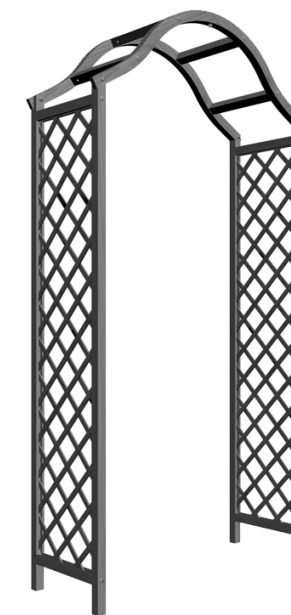
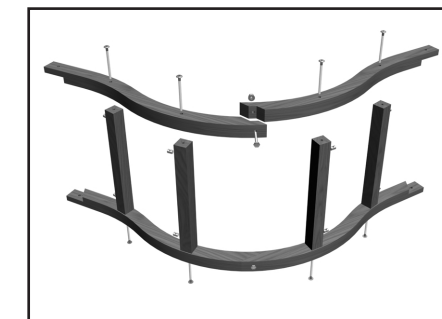
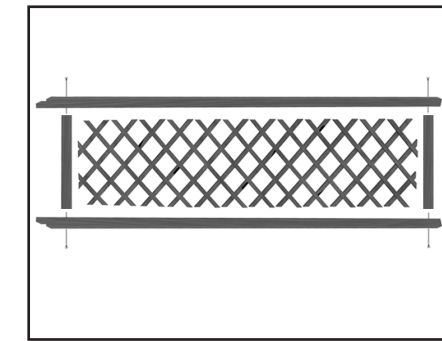
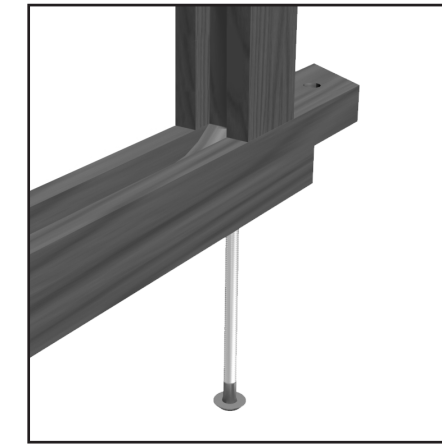
Ref	Qty	Description
A	2	Left handed long legs
B	2	Right handed long legs
C	2	Trellis panels
D	4	Rebated cross bars
E	4	Plain cross bars
F	2	Left handed curved members
G	2	Right handed curved members
H	8	6mm - 85mm Allen bolts
I	8	6mm - 50mm bolts
J	8	6mm - 50mm bolts, nut and washer sets
K	1	Allen key

297mm

210mm

Assembly

- 1 Connect a left handed long leg (A), a right handed long leg (B) and 2 rebated cross bars (D) with 4 x 85mm Allen bolts (H), using Allen key (K) provided. Leave the bolts loose at first then expand a trellis panel (C) and fit within the frame, positioning the edges of the trellis panel into the inner rebated grooves on the long legs and cross bars. Once in place, tighten the bolts fully to secure each frame side. Repeat to make the second side section.
- 2 Take one left hand curved member (F) & join to one right hand curved member (G) with two of the 50mm bolts, washers & nuts (J). Repeat to make second top arch side. Insert 4 x 6mm bolts (I) through the holes in side of the one top arch side & into the ends of the 4 plain cross bars. Ensure the top arch side has the rebated ends facing inwards toward the plain cross bars. Tighten with Allen key. Then place second top arch side on the other ends of the plain cross bars & insert four more 6mm bolts (I) and tighten with Allen key. This forms the roof assembly.
- 3 Take one side section and slot into the roof assembly as shown & secure with two 6mm bolts with washers and nuts (J). Repeat with second side section at other end to form the entire arch assembly. Once completed and all bolts are well tightened the unit can be lifted up-right and installed into the intended permanent position by sinking the legs into earth or concrete filled trenches. Alternatively use Gardman Ground Spikes (set of four) available separately - product code 07715.



create

Create Associates Limited
Spencer Chambers 4 Market Place
Leicester United Kingdom LE1 5GF
+44 (0)116 2518857
info@createassociatesltd.com
www.createassociatesltd.com

All dimensions in millimetres

Client: GARDMAN
Job number: GAR044
Title: 210x297 Instructions
Original designer/artworker: Paul Messer
Date: Oct 2006

■ Cutter
■ "DO NOT PRINT"
■ Dimensions
■ "DO NOT PRINT"
■ Cyan
■ Magenta
■ Yellow
■ Black
■ PMS
■ PMS
■ PMS-
■ PMS-
■ PMS-
■ PMS-