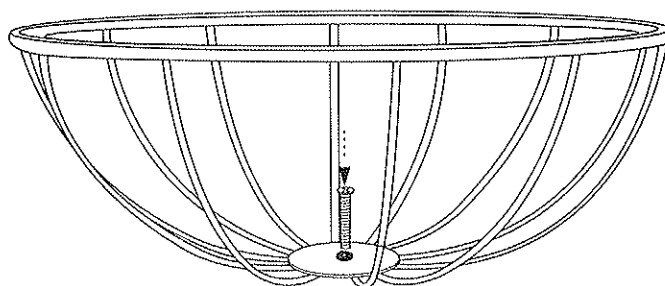




02010

# 2 TIER FLOWER FOUNTAIN

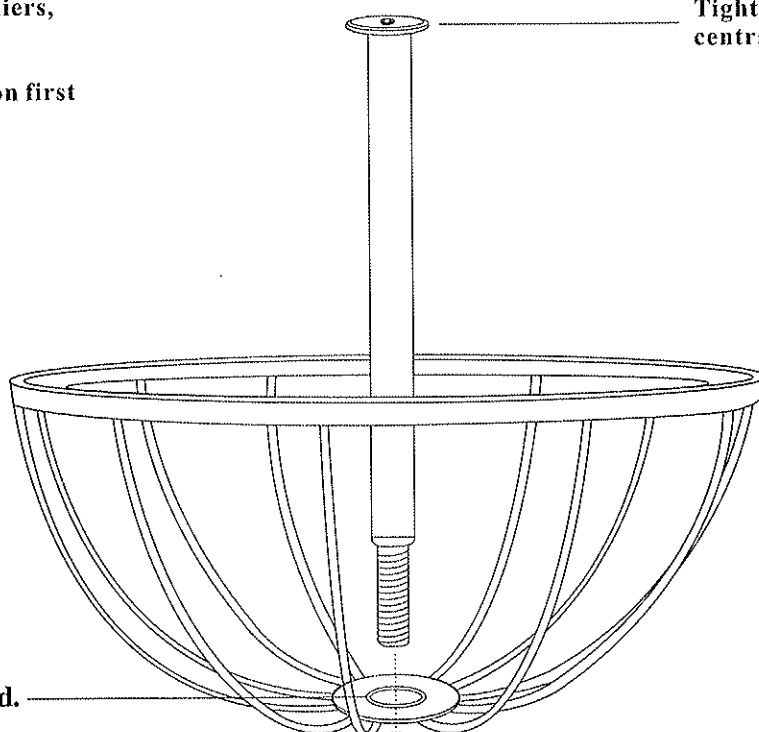


**Tools required:**

Spanner (8mm) or pliers,  
pozi screwdriver.

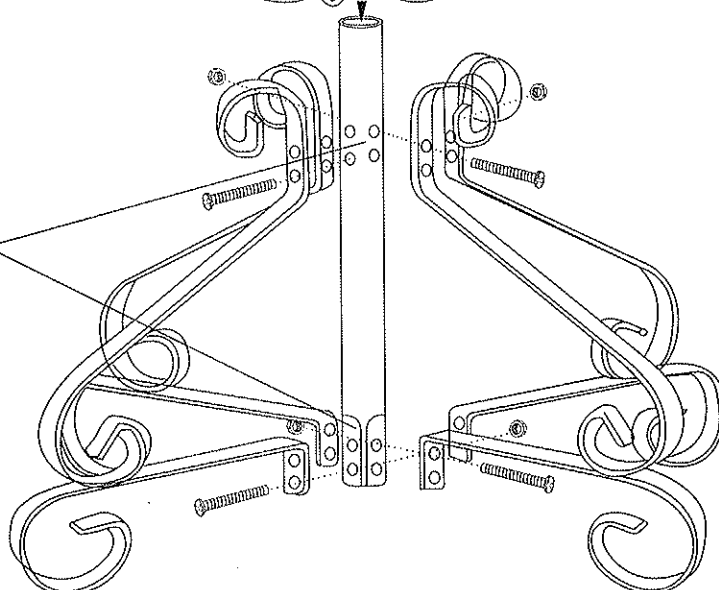
Assemble base section first

Tighten bolt into  
central stem



Ensure fully tightened.

Push bolts completely  
through, tighten nuts



High Street, Moulton, Spalding,  
Lincs. PE12 6QD UK  
Fax+44(0)1406 372 233